

HIGH CAPACITY LOAD CELL ASSEMBLY FOR SILO AND TANK WEIGHING

capacities 100t - 600t



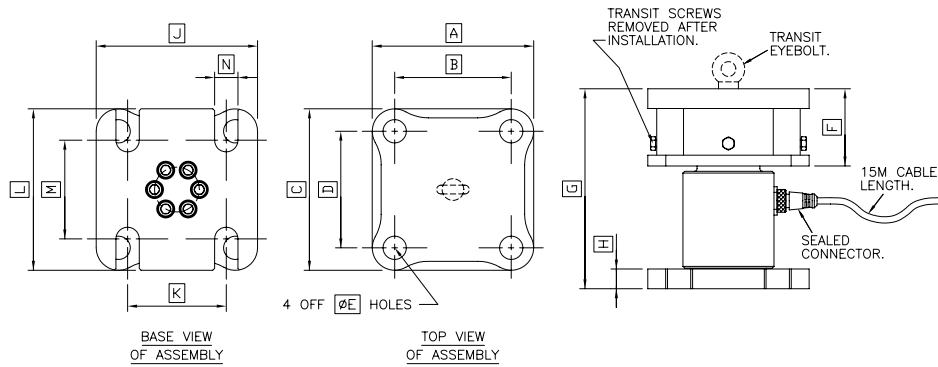
A stainless steel compression load cell housed in an integral mounting assembly, which is ideal for general commercial weighing of large tanks, silos and vessels, particularly in the cement, minerals and coal industries. The design ensures optimum performance and eliminates many traditional problems encountered during the installation of high capacity weighing systems. The T30 load cell and mounting assembly are supplied as a complete locked unit, ready to install.

The special mounting assembly design readily accommodates structural mis-alignment and horizontal movement due to thermal expansion and contraction of the structure. Lift off protection is built into the design and can withstand forces of up to 20% of the load cell capacity, making the unit ideal for exposed installations subject to strong winds.

- Alloy steel load sensor
- Construction sealed to IP67
- Self-aligning weighing assembly
- Waterproof cable connector
- Simple low cost installation
- Tough epoxy painted mounting assembly
- High accuracy
- Thermal expansion compensation
- Integral lift off prevention
- 5 year warranty

T30

technical specification...



T30 Load Cell

| | Load cell specification | Units | |
|---|-----------------------------|-------------|----|
| Load Cell Capacities | 100, 200, 300, 400, 600 | t | |
| Rated Output | 2.0 +/- 0.25% | mV/V | |
| Combined error | < +/- 0.01 | %* | |
| Non-repeatability | < +/- 0.03 | %* | |
| Creep (30 minutes) | < +/- 0.05 | %* | |
| Temperature Effect on Zero Balance | < +/- 0.003 | %* / °C | |
| Temperature Effect on Span | < +/- 0.005 | %* / °C | |
| Compensated Temperature Range | -10 to +40 | °C | |
| Operating Temperature Range | -40 to +80 | °C | |
| Safe Overload | 150 | %* | |
| Ultimate Overload | 300 | %* | |
| Zero Balance | < +/- 2 | %* | |
| Input Resistance | 750 +/- 30 | Ω | |
| Output Resistance | 700 +/- 1.5 | Ω | |
| Insulation Resistance | > 500 | MΩ @100v DC | |
| Recommended Supply Voltage | 10 | V | |
| Maximum Supply Voltage | 15 | V | |
| Cable Length | 15 | m | |
| Cable Material | PVC | | |
| Nominal Shipping Weight | T30-100t | 23 | kg |
| | T30-200t | 66 | kg |
| | T30-300t, 400t, 600t | 105 | kg |
| | | | |
| Protection Class | IP67 | | |

*All percentages are related to Rated output

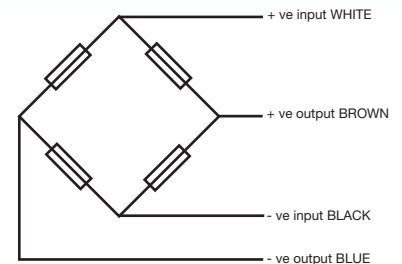
T30 Mounting Assembly

| Mounting Assembly | Load Cell Capacity (t) | Maximum Lift Off (kg) | Maximum Side Load (kg) | Maximum Angular Mis-alignment (°) |
|-------------------|------------------------|-----------------------|------------------------|-----------------------------------|
| T30 - 100T | 100 | 20,000 | 15,000 | +/- 4 |
| T30 - 200T | 200 | 40,000 | 30,000 | +/- 4 |
| T30 - 300T | 300 | 120,000 | 90,000 | +/- 4 |
| T30 - 400T | 400 | | | |
| T30 - 600T | 600 | | | |

Dimensions

| Capacity (t) | 100 | 200 | 300 400 600 |
|--------------|-----|-----|-------------------|
| A | 180 | 240 | 270 |
| B | 130 | 180 | 210 |
| C | 180 | 240 | 270 |
| D | 130 | 180 | 210 |
| E | 26 | 32 | 32 |
| F | 86 | 112 | 135 |
| G | 223 | 305 | 370 |
| H | 22 | 32 | 38 |
| J | 180 | 240 | 270 |
| K | 110 | 150 | 170 |
| L | 180 | 240 | 270 |
| M | 110 | 150 | 170 |
| N | 26 | 32 | 32 |

All dimensions are in mm



Electrical Connections

Via 4 wire, 7.4mm diameter, screened with integral 4-way connector.

DISTRIBUTED BY:



THAMES SIDE SENSORS LTD

Unit 10, io Trade Centre, Deacon Way, Reading, Berkshire RG30 6AZ

tel: +44 (0) 118 941 1387
fax: +44 (0) 118 941 2004

sales@thames-side.co.uk
www.thames-side.com



Issue: T30.07.13

Our policy is one of continuous product enhancement. We therefore reserve the right to incorporate technical modifications without prior notification.